

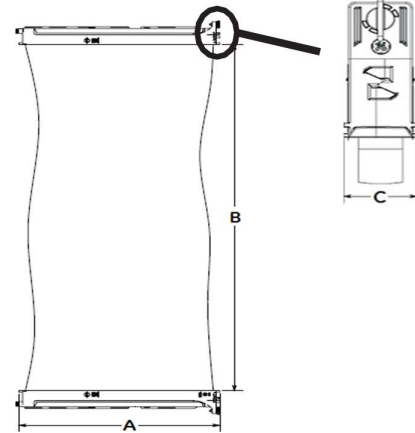


HM MBR 40 PVDF High Performance MBR Module

- High Strength Modified Reinforced PVDF Hollow Fiber Membranes

Membrane Specifications:

| Module Dimensions | | | | |
|-------------------|----------------|-------------------|-------------------------------------|-------------------|
| Application | Product | Width (A) mm (in) | Header-to-Header Length (B) mm (in) | Depth (C) mm (in) |
| MBR | HM MBR 40 PVDF | 844 (33.2) | 1940 (76.4) | 49 (1.9) |



| Module Properties | | | | | | | | | |
|-------------------|---|--|-------------------------------------|----------|------------------------|---------------------|-------------------------|----------------------------|-------------|
| Application | Membrane Surface Area m ² (ft ²) | Max Shipping Weight ¹ kg (lb) | Lifting Weight ² kg (lb) | Material | Nominal Pore Size (µm) | Fibre Diameter (mm) | Surface Properties | Fibre Tensile Strength (N) | Flow Path |
| MBR | 40.0 (430) | 28 (61) | 28 – 75 (61 – 164) | PVDF | 0.04 | 2.0 | Non-ionic & Hydrophilic | >600 | Outside- In |

¹ Packaged
² Varies with solids accumulation

| Operating & Cleaning Specification | | | | | | |
|------------------------------------|----------------------|------------------------------|--------------------|-----------------------------|--------------------|-----------------------------------|
| Application | TMP Range kPa (psig) | Max. Operating Temp. °C (°F) | Operating pH Range | Max. Cleaning Temp. °C (°F) | Cleaning pH Range | Max. Cl ₂ Conc'n (ppm) |
| MBR | -55 to 55 (-8 to 8) | 40 (104) | 5.0-9.5 | 40 (104) | 2.0 – 10.5 (<30°C) | 1,000 |

Important Warnings & Information:

1. For the recommended design range & guidelines, please follow this technical bulletin or call an application specialist.
If the operating limits given in this product information bulletin are not strictly followed, the warranty will be null and void.
2. The customer is fully responsible for the effects of chemicals that are incompatible with the membrane modules.

HYDRAMEM is the registered trademark of Ion Exchange (India) Ltd.



ION EXCHANGE (INDIA) LTD.

Corporate Office

Ion House, Dr. E. Moses Road, Mahalaxmi,
Mumbai - 400011 | Tel: +91 22 6231 2000
E-mail: ieil@ionexchange.co.in

Regional and Branch Offices

Bengaluru | Bhubaneswar | Chandigarh | Chennai
Delhi | Hyderabad | Kolkata | Lucknow | Vadodara
Vashi | Visakhapatnam

International Division

R-14, T.T.C MIDC, Thane - Belapur Road, Rabale,
Navi Mumbai - 400 701 | Tel: +91 22 6857 2400
E-mail: export.sales@ionexchange.co.in

Overseas Offices

Bangladesh | Canada | Indonesia | Kenya
Malaysia | Oman | Portugal | Saudi Arabia | Singapore
South Africa | Sri Lanka | Tanzania | Thailand | UAE | USA

Manufacturing Units
India - Ankleshwar | Hosur | Patancheru | Rabale | Verna | Wada
Overseas - Bangladesh | Indonesia | Saudi Arabia | UAE
All India Service and Dealer Network

